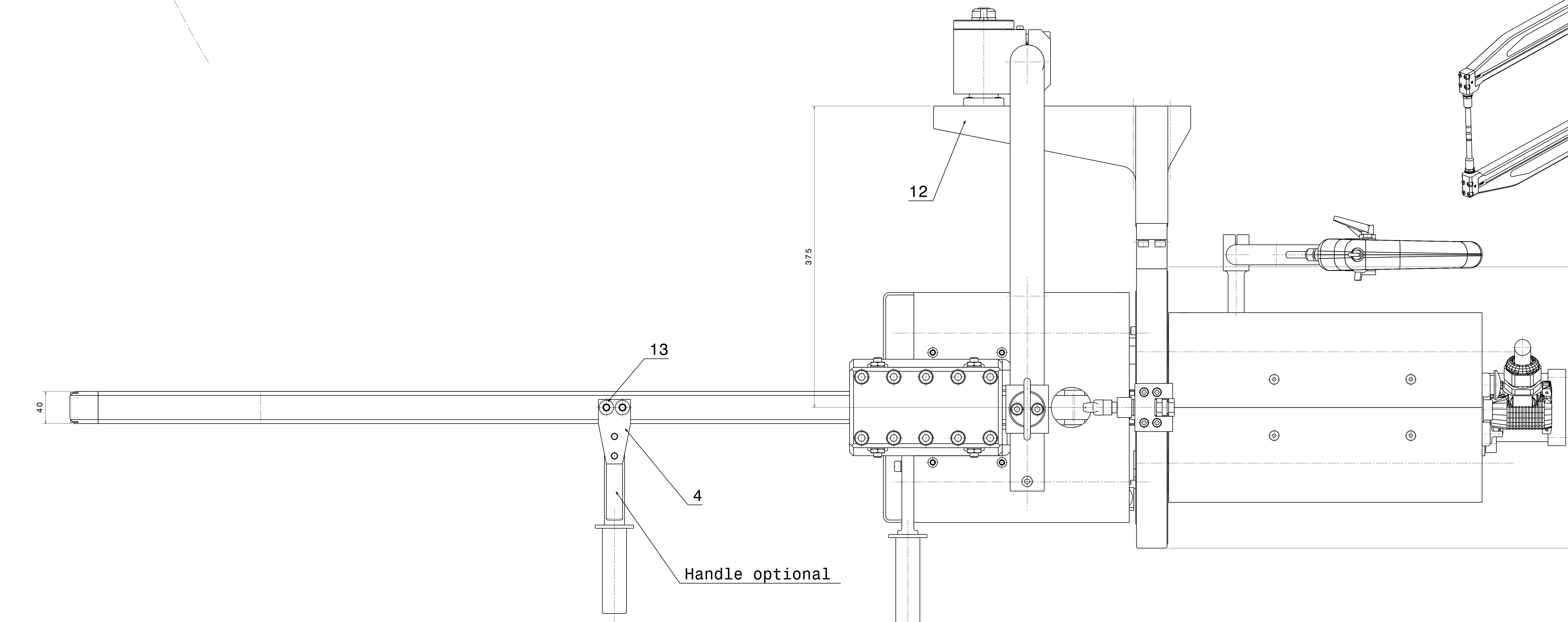


Isometric view
Scale: 1:5



Handle optional

Weight 94,5 kg
Transformer MF 3050
Cylinder force 6bar ca. 1700 daN
Pre-stroke 51,5mm
Working stroke 40mm
Electrode force 250 daN at 3,7 bar

Symbols, designations and general drawing methods STD 101-0005 and STD 5023.503
Tolerance unless otherwise stated ISO 2768-m Sharp edges broken when function allows

Drawn by	Date	Scale	Issue
DRWB	XX	XX	XX
Approved	Date	Project	Issue
XX	XX		XX

The copying, distribution and utilization of this document as well as the completion of its contents to drawings should be approved and authorized by the project manager. All rights reserved in the event of the grant of a patent, utility model or trademark design registration.

